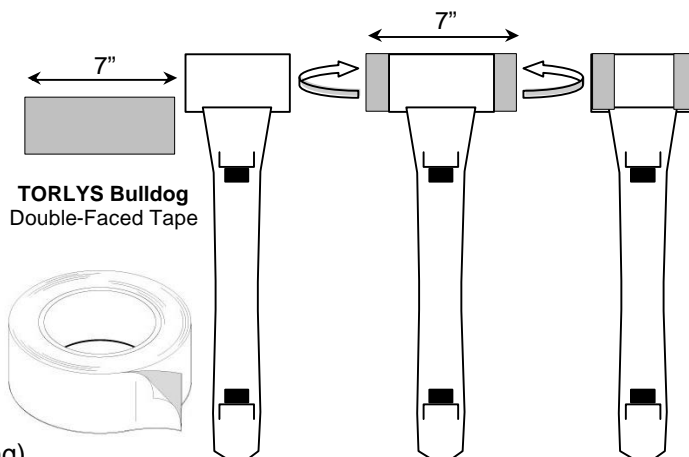




Please read all instructions before you begin.

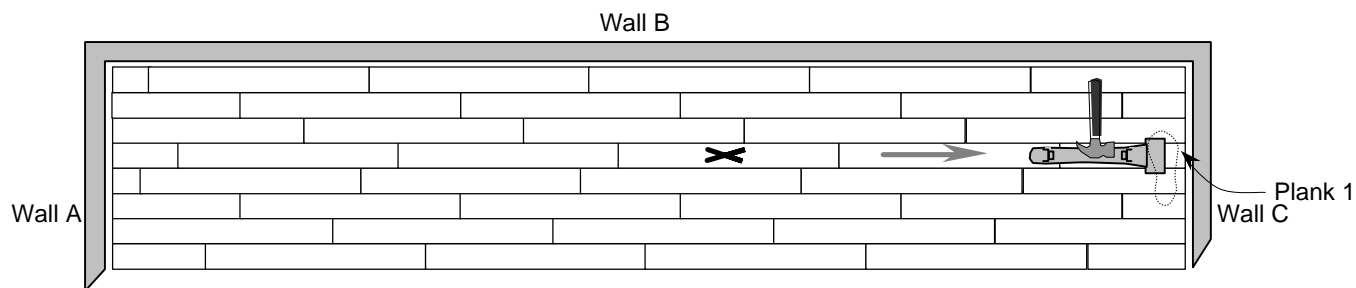
You will need:

- TORLYS Bulldog Double-Faced Tape
- Hammer



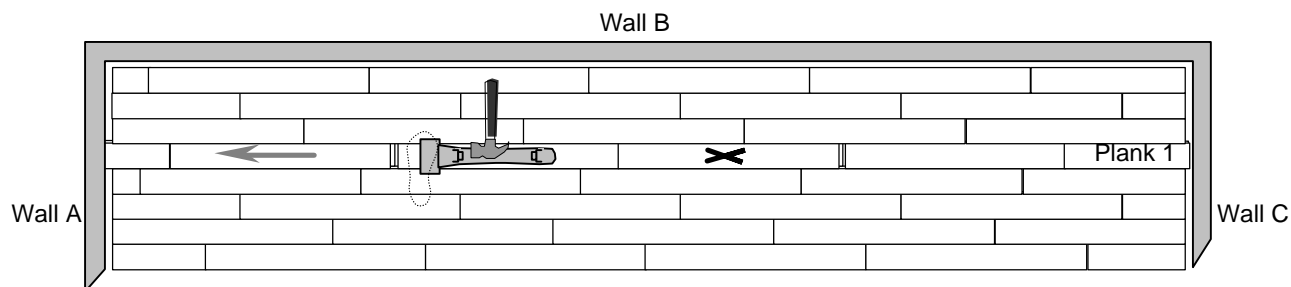
TOOL - Instructions

1. Vacuum the floor thoroughly to remove any dust or dirt (dust or dirt may prevent the tool from adhering to the surface of the planks).
2. Mark the plank(s) you want to replace.
3. Cut one piece of double-faced tape (approximately 7" long) and wrap it around the hinged end of the Bulldog tool.
4. Remove the protective paper from the tape (leaving part of the protective paper will allow for adjustments to different width planks).



5. Adhere the Bulldog to the plank closest to Wall "C" (plank 1), on the row with the marked plank, by placing one foot on top of the hinged section, and tap the tool so that the plank slides towards the wall until it unlocks from the rest of the row. To disengage the tool from the plank, raise the tool on the hinge and, carefully, rock it from side to side.

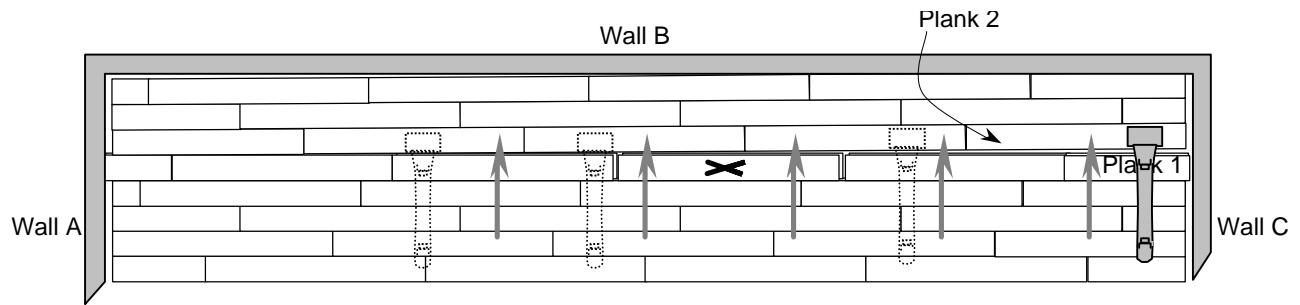
6. Continue in the same method, unlocking planks on that row, until you reach the damaged plank.



7. Repeat steps # 5 and 6, starting at Wall "A" (other side of the damaged plank).

TORLYS
smart floors
www.torlys.com

(INSTRUCTIONS CONTINUED SEE OVER)

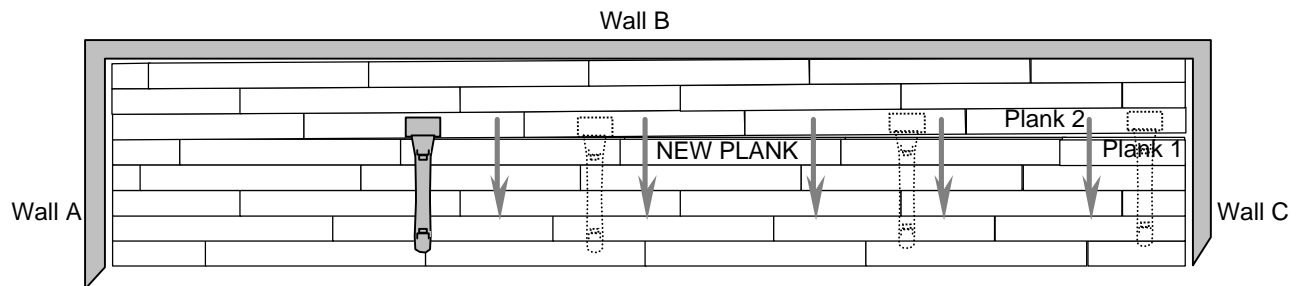
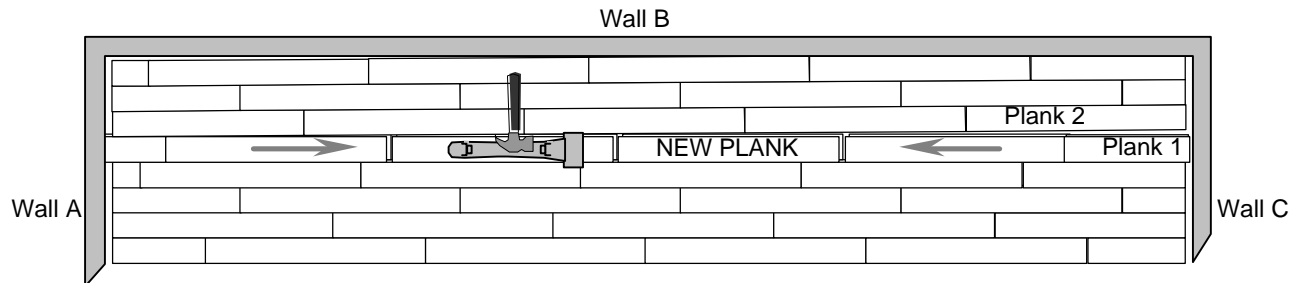


8. Now, to unlock the long side of the planks:

Return to the row beside the damaged plank, and starting near Wall “C”, attach the tool to Plank 2 as close to the wall as possible and tap the tool towards Wall “B” (closest wall) until the two planks partially disengage. Repeat along this row every 12” until the long side of the damaged plank is totally exposed.

The side of the plank you are trying to release is the tongue side, as it will require a smaller gap to remove it from the floor than the groove side – you can identify which long side has the tongue as soon as you unlock the short sides in step #5.

9. Remove the damaged plank and click the new plank into place.



10. Lock together the short sides of the replaced plank, continuing along the full row until all short sides are re-engaged. Next, re-engage all the long sides, starting by the planks nearest to Wall A. The repair is complete when all joints are re-engaged.

IMPORTANT INFORMATION:

The TORLYS Bulldog is designed to work with all TORLYS floors featuring the Uniclic® joint. Please take special care when replacing cork planks or tiles reducing the adhesiveness of the tape (rub the tape with saw dust/talcum powder) to prevent damage to the finish of the cork.

TORLYS has selected the best available double-faced tape for use with the Bulldog. Any residue left on the surface of the floor, may be removed with rubbing alcohol; paint thinner will remove adhesive residue but leave a film on the surface of the floor.

The TORLYS Bulldog is a tapping tool and as such, use only minimum necessary force required to click or unclick planks. Tap one plank into place at a time. We do not recommend tapping/moving full rows.

When using the TORLYS Bulldog for closing open joints, first ensure joints are open enough so you can remove any dirt that might have collected. Close the joints only after joints are clean.

Success of the replacement will depend on how well the floor was initially installed with proper expansion around the perimeter.

The weight of the floor, furniture and the baseboards will limit the amount of floor that can be moved at one time. Split the floor into “moveable” sections for larger areas.